



## Motor programs

Shaded pole motors · Three-phase motors · Capacitor motors

## ■ Shaded pole motors

### General information:

Shaded pole motors are asynchronous squirrel-cage motors for connection to singlephase AC-current. They permit low-cost drive solutions in all fields of electrical engineering, mechanical engineering, appliance and apparatus construction. Their simple, robust and maintenance-free design turns them into successfully usable drive elements.

Heidrive 2-pole shaded motors run with a rated speed of 2,200 to 2,600 rpm at 50 Hz. The 4-pole version runs with 1,200 rpm at 50 Hz. Clockwise or counter clockwise rotation has to be specified with order. A subsequent modification is not possible.

### High quality and wide range

Shaded pole motors are characterized by:

- Total reliability
- Long service life
- Maintenance-free

### Applications

Heater blowers, ventilators, projectors, photocopying machines, printing machines, refrigerators and cooling air blowers, pumps, medical instruments, machine tools, office machines, scanners, electronic devices.



## Overview

Motor type	Input power [W]	Output power [W]	Rated speed [rpm]	Rated torque [Nm]	Protection class [IP]	Page
123 Without fan die cast bearing brackets	10.5 - 22.0	0.7 - 5.4	2,600	0.0026 - 0.0200	00	p. 4
123 With fan die cast bearing brackets	33.0 - 51.0	6.5 - 10.9	2,600	0.0240 - 0.0400	00	p. 4
123 Without fan long-life bearing brackets	10.5 - 22.0	0.7 - 5.4	2,600	0.0026 - 0.0200	00	p. 6
123 With fan long-life bearing brackets	33.0 - 51.0	6.5 - 10.9	2,600	0.0240 - 0.0400	00	p. 6
123 with fan reinforced bearing brackets	59.0 - 97.0	16.3 - 29.4	2,600	0.0600 - 0.1080	00	p. 8



## ■ Without fan, 2-pole

Technical data	123.10	123.15	123.20	123.25
Package height h [mm]	10	15	20	25
Input power [W]	10.5	15.0	18.0	22.0
Output power [W]	0.7	2.4	3.8	5.4
Rated current [A]	0.12	0.14	0.16	0.20
Rated torque [Ncm]	0.26	0.90	1.40	2.00
Starting torque [Ncm]	0.70	1.10	1.50	1.80
Breakdown torque [Ncm]	0.75	1.50	2.00	2.70
Rated speed [rpm]	2,600	2,600	2,600	2,600
Idle speed [rpm]	2,750	2,800	2,800	2,850
Weight [g]	385	515	625	750
Order number [sintered bearing]	123-10-00001	123-15-00003	123-20-00011	123-25-00003
Order number [ball bearing]	123-10-00003	123-15-00005	123-20-00012	123-25-00004

## ■ With fan Ø 60 mm, 2-pole

Technical data	123.20	123.25	123.30
Package height h [mm]	20	25	30
Input power [W]	33.0	44.0	51.0
Output power [W]	6.5	9.0	10.9
Rated current [A]	0.36	0.46	0.46
Rated torque [Ncm]	2.40	3.30	4.00
Starting torque [Ncm]	2.60	3.20	3.90
Breakdown torque [Ncm]	4.00	5.10	6.20
Rated speed [rpm]	2,600	2,600	2,600
Idle speed [rpm]	2,850	2,850	2,900
Weight [g]	630	755	870
Order number [sintered bearing]	123-20-00013	123-25-00005	123-30-00011
Order number [ball bearing]	123-20-00015	123-25-00006	123-30-00012

# Type 123

with die cast long-life bearing brackets

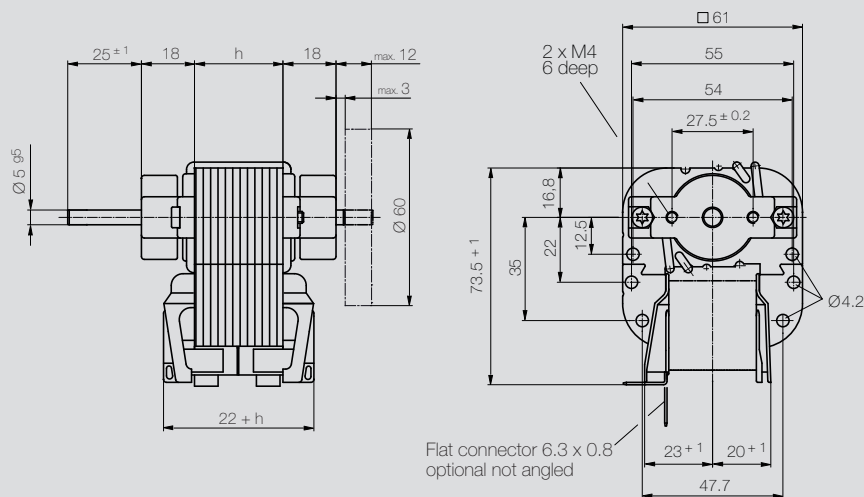


## 2-pole shaded pole motor

open coverage type, with or without fan

Technical data	Standard design	Options
Protection class	IP 00	-
Voltage / Frequency	230 V / 50 Hz	special voltage, double voltage
Connector type	flat connector 6.3 x 0.8 mm	leads length 200 mm
Direction of rotation	left (with regard to the drive shaft)	right (with regard to the drive shaft)
Bearing	maintenance-free sintered bearings	-
Shaft [Ø]	5 mm	6 mm

## Dimensional drawings



## ■ Without fan, 2-pole

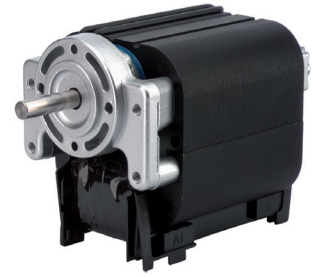
Technical data	123.10	123.15	123.20	123.25
Package height h [mm]	10	15	20	25
Input power [W]	10.5	15.0	18.0	22.0
Output power [W]	0.7	2.4	3.8	5.4
Rated current [A]	0.12	0.14	0.16	0.20
Rated torque [Ncm]	0.26	0.90	1.40	2.00
Starting torque [Ncm]	0.70	1.10	1.50	1.80
Breakdown torque [Ncm]	0.75	1.50	2.00	2.70
Rated speed [rpm]	2,600	2,600	2,600	2,600
Idle speed [rpm]	2,750	2,800	2,800	2,850
Weight [g]	370	500	610	735
Order number [sintered bearing]	123-10-00002	123-15-00004	123-20-00007	123-25-00007

## ■ With fan Ø 60 mm, 2-pole

Technical data	123.20	123.25	123.30
Package height h [mm]	20	25	30
Input power [W]	33.0	44.0	51.0
Output power [W]	6.5	9.0	10.9
Rated current [A]	0.36	0.46	0.46
Rated torque [Ncm]	2.40	3.30	4.00
Starting torque [Ncm]	2.60	3.20	3.90
Breakdown torque [Ncm]	4.00	5.10	6.20
Rated speed [rpm]	2,600	2,600	2,600
Idle speed [rpm]	2,850	2,850	2,900
Weight [g]	615	740	855
Order number [sintered bearing]	123-20-00014	123-25-00008	123-30-00013

# Type 123

with reinforced bearing brackets

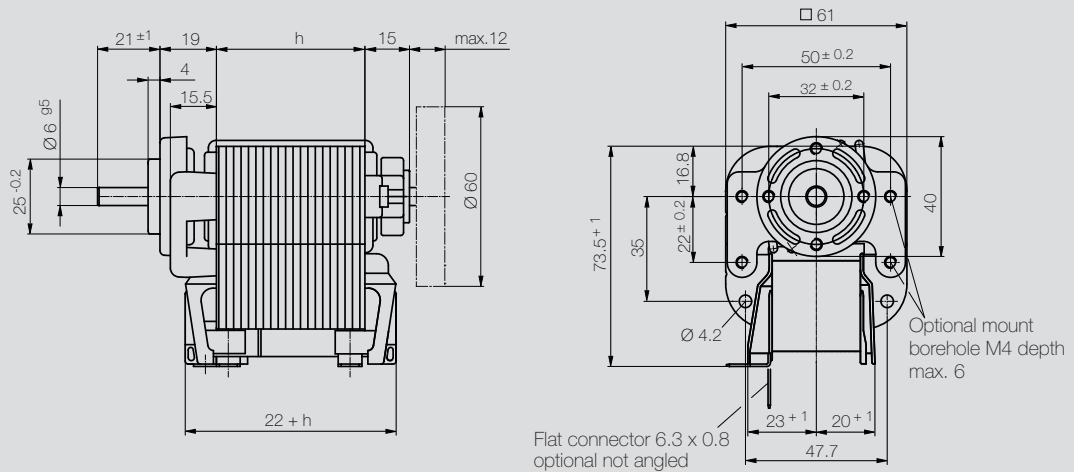


## 2-pole shaded pole motor

open coverage type, with fan

Technical data	Standard design	Options
Protection class	IP 00	-
Voltage / Frequency	230 V / 50 Hz	special voltage, double voltage
Connector type	flat connector 6.3 x 0.8 mm	leads length 200 mm
Direction of rotation	left (with regard to the drive shaft)	right (with regard to the drive shaft)
Bearing	maintenance-free sintered bearings	ball bearings
Shaft [Ø]	6 mm	5 mm

## Dimensional drawings





■ With fan Ø 60 mm, 2-pole

Technical data	123.38	123.50	123.60
Package height h [mm]	38	50	60
Input power [W]	59.0	83.0	97.0
Output power [W]	16.3	23.7	29.4
Rated current [A]	0.51	0.69	0.77
Rated torque [Ncm]	6.00	8.70	10.80
Starting torque [Ncm]	4.90	6.50	8.00
Breakdown torque [Ncm]	8.10	11.60	14.20
Rated speed [rpm]	2,600	2,600	2,600
Idle speed [rpm]	2,900	2,900	2,900
Weight [g]	1,140	1,400	1,650
Order number [sintered bearing]	123-38-00013	123-50-00004	123-60-00003
Order number [ball bearing]	123-38-00014	123-50-00005	123-60-00004

# ■ Three-phase-/ capacitor motors

## General information

Capacitor motors are asynchronous squirrel-cage motors for connection to AC voltage. Three-phase motors are asynchronous squirrel-cage motors for connection to three-phase current.

## Options:

- Electronic speed regulation
- Encoder
- Brake
- Axial fan
- Special shaft
- Special flange
- Connection in different types
- Finishing

## High quality and wide range

Capacitor motors are characterized by:

- Total reliability
- Long service life
- Different capabilities
- Maintenance-free

Three-phase motors are characterized by:

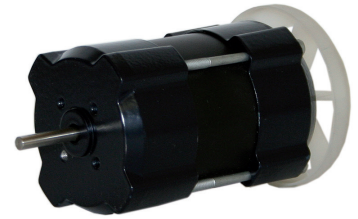
- Total reliability
- Long service life
- Different capabilities
- Maintenance-free
- Round, balanced operation
- High starting torque
- High efficiency



## Overview

Motor-Type	Input power [W]	Output power [W]	Rated speed [rpm]	Rated torque [Nm]	Protection class [IP]	Page
External diameter 58 Type 203 Capacitor/Three-phase	35 - 64	11 - 21	1,200 / 2,600	0.042 - 0.17	40	p. 12
External diameter 70 Type 211 Capacitor motor	60 - 157	26 - 89	2,600	0.095 - 0.325	00 / 40	p. 14
External diameter 80 Type 232 Capacitor motor	102 - 255	48 - 143	2,600 / 2,750	0.17 - 0.53	00 / 40	p. 16
External diameter 80 Type 235 Capacitor/Three-phase	69 - 142	32 - 70	1,200 / 1,350	0.227 - 0.60	00 / 40	p. 18
External diameter 80 Type 242 Three-phase motor	140 - 310	80 - 215	2,750	0.28 - 0.74	00 / 40	p. 20
External diameter 90 Type 234 Capacitor motor	162 - 222	94 - 123	1,200 / 2,600	0.33 - 0.98	00 / 40	p. 22
External diameter 90 Type 244 Three-phase motor	330 - 540	216 - 403	2,750	0.75 - 1.40	40	p. 24
External diameter 90 Type 263 Three-phase motor	190 - 305	110 - 205	1350	0.78 - 1.45	00 / 40	p. 26

# External diameter 58 Type 203

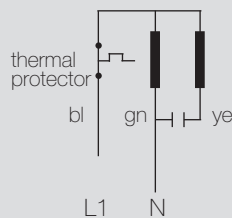
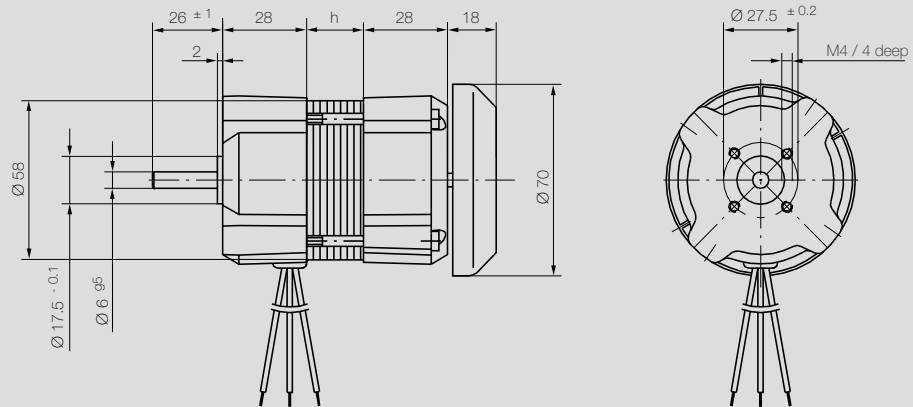


## Capacitor-/three-phase motors 2-/4-pole

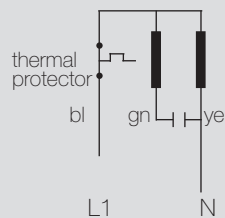
Technical data	Standard design	Options
Protection class DIN 40050	IP 40	-
Voltage / Frequency	230 V / 50 Hz	400 V, special voltage
Connector type	leads length 200 mm colours see schematic	-
Direction of rotation	left and right by reconnecting	-
Bearing	ball bearings	maintenance-free sintered bearings
Shaft [Ø]	6 mm	5 mm

### Dimensional drawings

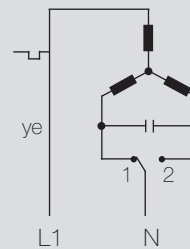
closed coverage type



1~  
capacitor

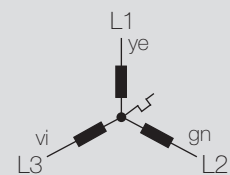


1~  
capacitor



1 cw  
2 ccw

1~  
Steinmetz



clockwise  
schematic

3~  
three-phase

## Technical data

Type	Package-height (h) [mm]	Power		Rated-current [A]	Rated-torque [Nm]	Starting-torque [Nm]	Break-down-torque [Nm]	Rated speed [rpm]	Idle-speed [rpm]	Capacitor	Order number
		input [W]	output [W]								

### Closed coverage type, 2-pole, aluminium rotor

203.18-2	18	35	11	0.15	0.042	0.048	0.065	2,600	2,900	1.2	203.18.00001
203.25-2	25	48	20	0.21	0.072	0.062	0.093	2,600	2,900	1.6	203.25.00001
203.35-2	35	62	32	0.27	0.120	0.090	0.160	2,600	2,900	2.0	203.35.00001
203.50-2	50	87	50	0.37	0.180	0.110	0.220	2,600	2,900	2.5	203.50.00001

### Closed coverage type, 2-pole, alloy rotor

203.18-2	18	34	8	0.15	0.030	0.057	0.066	2,600	2,900	1.2	203.18.00002
203.25-2	25	44	13	0.19	0.048	0.082	0.094	2,600	2,900	1.6	203.25.00002
203.35-2	35	55	22	0.24	0.080	0.120	0.155	2,600	2,900	2.0	203.35.00002
203.50-2	50	68	33	0.30	0.120	0.150	0.210	2,600	2,900	2.5	203.50.00002

### Closed coverage type, 4-pole, aluminium rotor, Steinmetz circuit

203.18-4	18	28	4.7	0.13	0.037	0.046	0.052	1,200	1,450	2.0	203.18.00003
203.25-4	25	37	8.6	0.17	0.068	0.067	0.083	1,200	1,450	2.5	203.25.00003
203.35-4	35	43	12.5	0.21	0.100	0.085	0.120	1,200	1,450	2.5	203.35.00003
203.50-4	50	57	19.0	0.28	0.150	0.120	0.175	1,200	1,450	3.5	203.50.00003

### Closed coverage type, 2-pole, aluminium rotor, three-phase

203.18-2	18	24	9	0.11	0.034	0.090	-	2,600	2,900	-	203.18.00004
203.25-2	25	50	23	0.19	0.087	0.190	-	2,600	2,900	-	203.25.00004
203.35-2	35	59	32	0.22	0.115	0.310	-	2,600	2,900	-	203.35.00004
203.50-2	50	78	48	0.27	0.175	0.400	-	2,600	2,900	-	203.50.00004

### Closed coverage type, 4-pole, aluminium rotor, three-phase

203.18-4	18	31	5.5	0.12	0.044	0.090	-	1,200	1,450	-	203.18.00005
203.25-4	25	39	10.0	0.15	0.080	0.140	-	1,200	1,450	-	203.25.00005
203.35-4	35	51	14.5	0.20	0.115	0.240	-	1,200	1,450	-	203.35.00005
203.50-4	50	64	21.0	0.26	0.170	0.300	-	1,200	1,450	-	203.50.00005

# External diameter 70 Type 211



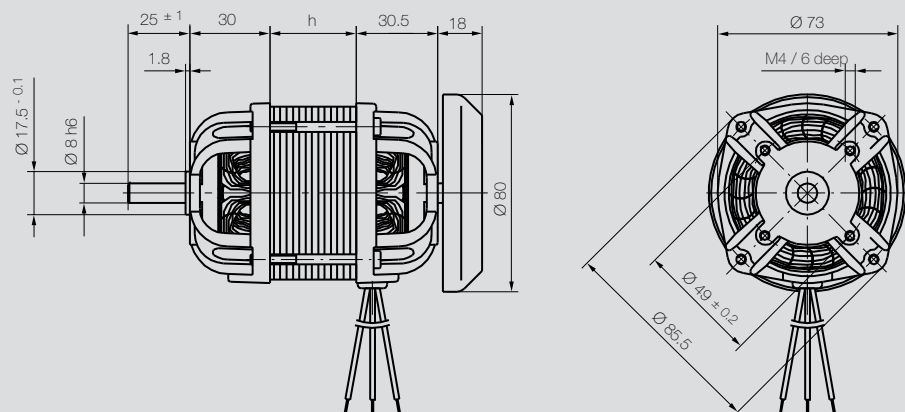
## Capacitor motor 2-pole

Technical data	Standard design	Options
Protection class DIN 40050	closed coverage type IP 40 open coverage type IP 00	-
Voltage / Frequency	230 V / 50 Hz	special voltage, three phase
Connector type	leads length 200 mm colours see schematic	-
Direction of rotation	left and right by reconnecting	-
Bearing	ball bearings	maintenance-free sintered bearings
Fixing	flange	with base <sup>1)</sup>

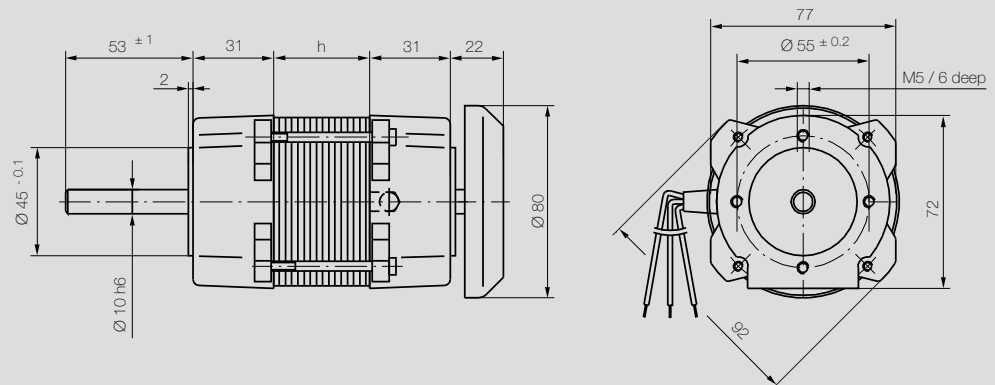
1) Closed coverage type only

## Dimensional drawings

open coverage type



closed coverage type



## Technical data

Type	Package-height (h) [mm]	Power		Rated-current [A]	Rated-torque [Nm]	Starting-torque [Nm]	Break-down-torque [Nm]	Rated-speed [rpm]	Idle-speed [rpm]	Capacitor	Order number
		input [W]	output [W]								

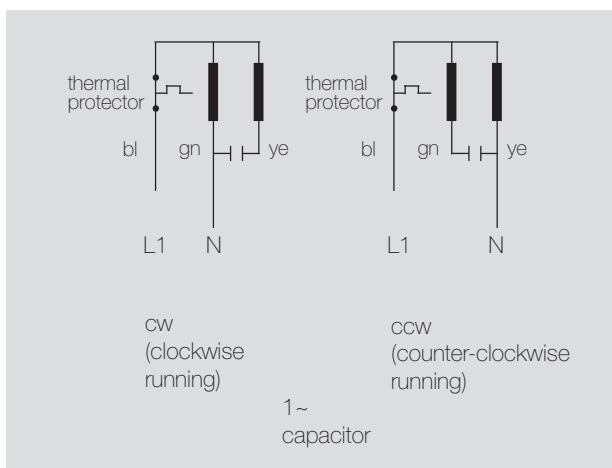
### Open coverage type, 2-pole

211.20-2	20	60	26	0.30	0.095	0.080	0.120	2,550	2,950	2/400	211.20.00008
211.25-2	25	73	34	0.30	0.125	0.100	0.160	2,600	2,950	2.5/400	211.25.00010
211.30-2	30	95	43	0.40	0.155	0.110	0.200	2,600	2,950	2.5/400	211.30.00013
211.45-2	45	137	73	0.60	0.265	0.150	0.320	2,600	2,950	4/400	211.45.00110
211.55-2	55	157	89	0.70	0.325	0.165	0.390	2,600	2,950	4/400	211.55.00018

### Closed coverage type, 2-pole

211.20-2	20	60	26	0.30	0.095	0.080	0.120	2,550	2,950	2/400	211.20.00006
211.25-2	25	73	34	0.30	0.125	0.100	0.160	2,600	2,950	2.5/400	211.25.00009
211.30-2	30	95	43	0.40	0.155	0.110	0.200	2,600	2,950	2.5/400	211.30.00011
211.45-2	45	137	73	0.60	0.265	0.150	0.320	2,600	2,950	4/400	211.45.00118
211.55-2	55	157	89	0.70	0.325	0.165	0.390	2,600	2,950	4/400	211.55.00017

4-pole version available on request



# External diameter 80 Type 232

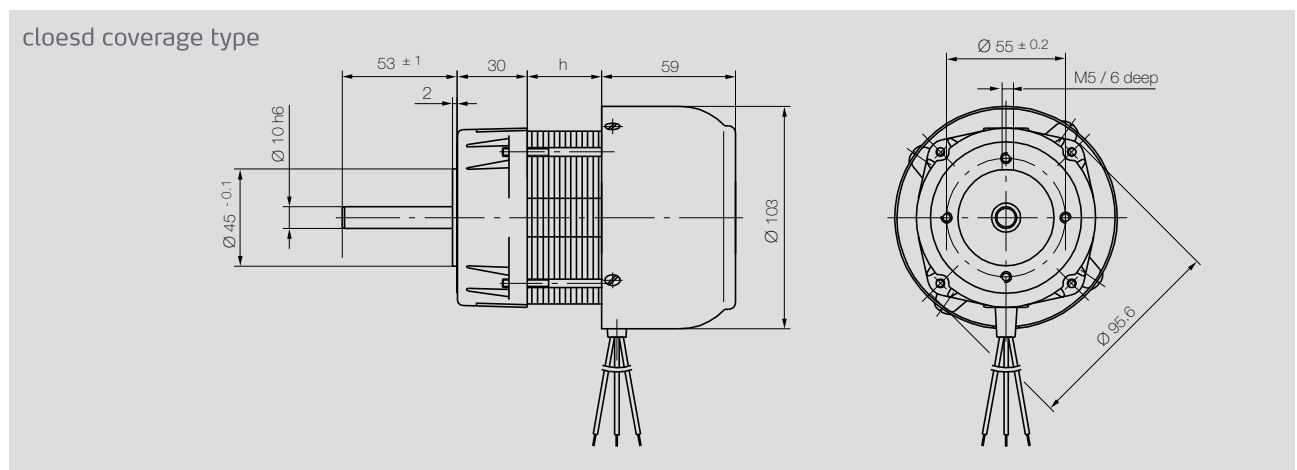
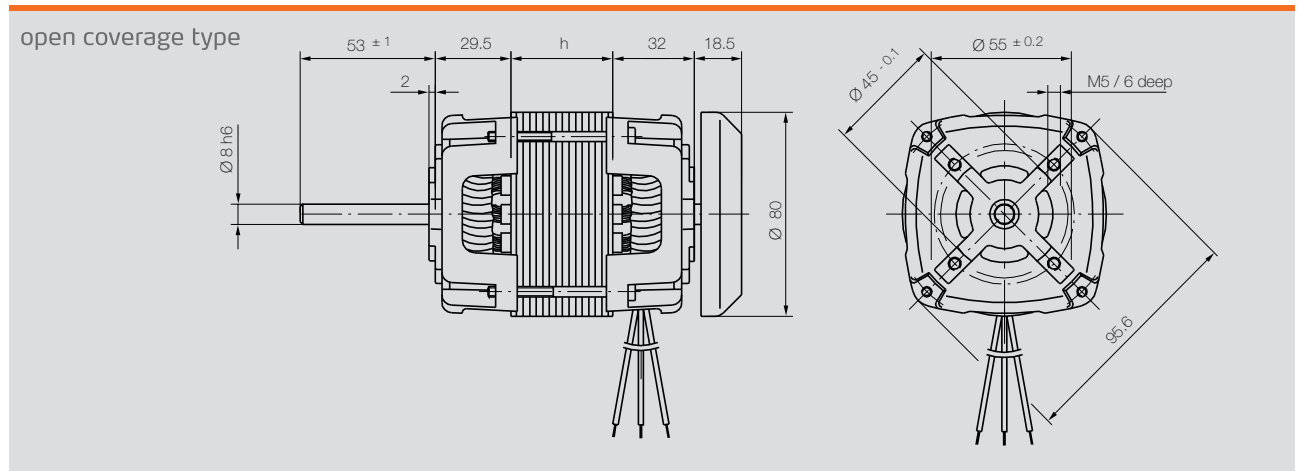


## Capacitor motor 2-pole

Technical data	Standard design	Options
Protection class DIN 40050	closed coverage type IP 40 open coverage type IP 00	-
Voltage / Frequency	230 V / 50 Hz	special voltage
Connector type	leads length 200 mm colours see schematic	-
Direction of rotation	left and right by reconnecting	-
Bearing	ball bearings	-
Fixing	flange	with base

Optionally with aluminium or alloy rotor

## Dimensional drawings





## Technical data

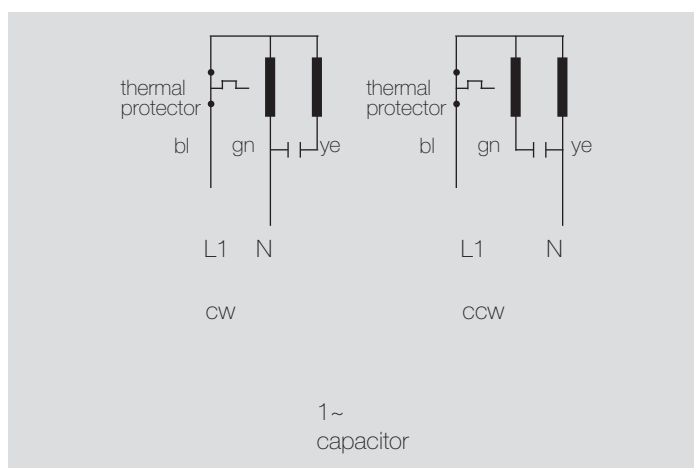
Type	Pack- age- height (h) [mm]	Power		Rated- current [A]	Rated- torque [Nm]	Starting- torque [Nm]	Break- down- torque [Nm]	Ra- ted- speed [rpm]	Idle- speed [rpm]	Capa- citor	Order number		IE-Code  in % acc. to the standard DIN EN 60034-30-1
		in- put [W]	out- put [W]								open coverage type	closed coverage type	

### Type with aluminium rotor, 2-pole

232.25-2	25	102	48	0.40	0.17	0.16	0.26	2,700	2,970	4/400	232.25.00101	.00103	-
232.30-2	30	119	65	0.54	0.23	0.15	0.31	2,750	2,970	4/400	232.30.00101	.00103	-
232.40-2	40	152	85	0.70	0.29	0.17	0.42	2,750	2,970	5/400	232.40.00102	.00104	-
232.55-2	55	192	118	0.88	0.41	0.21	0.59	2,750	2,970	6/400	232.55.00107	.00109	-
232.70-2	70	266	166	1.23	0.58	0.25	0.78	2,750	2,970	8/400	232.70.00101	.00103	IE2-62,4

### Type with alloy rotor, 2-pole

232.25-2	25	101	44	0.40	0.17	0.21	0.26	2,550	2,940	4/400	232.25.00102	.00104	-
232.30-2	30	110	58	0.50	0.21	0.21	0.31	2,600	2,940	4/400	232.30.00102	.00104	-
232.40-2	40	142	73	0.65	0.27	0.26	0.39	2,600	2,940	5/400	232.40.00103	.00105	-
232.55-2	55	187	108	0.90	0.40	0.31	0.54	2,600	2,940	6/400	232.55.00108	.00110	IE1-56,1
232.70-2	70	255	143	1.17	0.53	0.40	0.70	2,600	2,940	8/400	232.70.00102	.00104	IE-56,1



External diameter 80  
Type 235



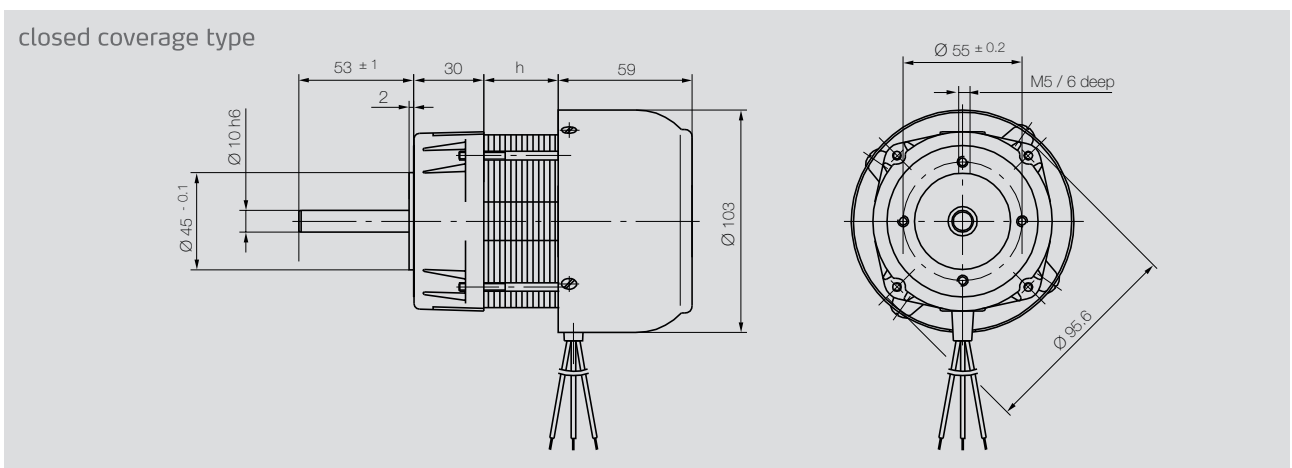
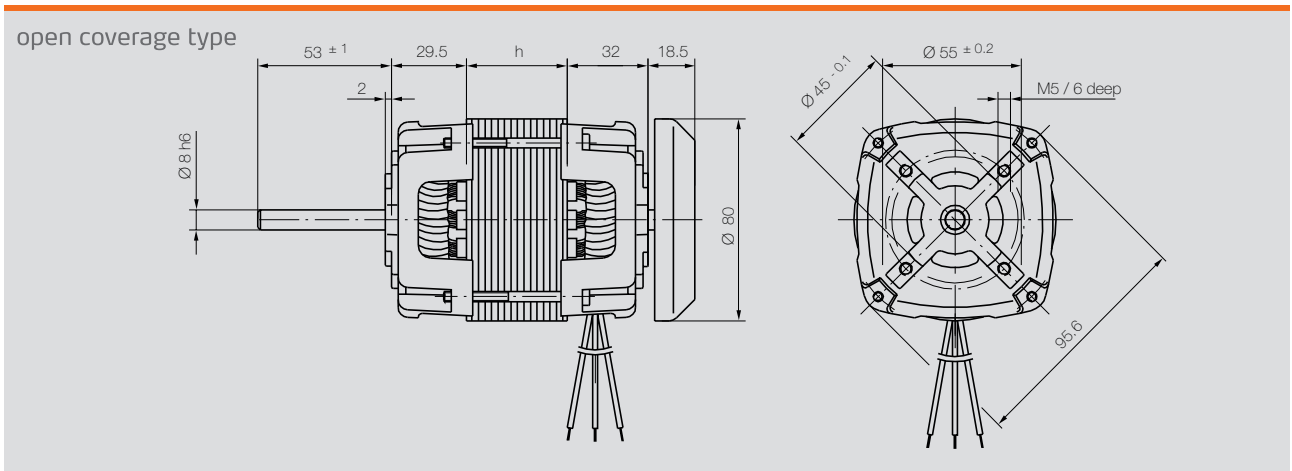
## Capacitor-/three-phase motors

4-pole

Technical data	Standard design	Options
Protection class DIN 40050	closed coverage type IP 40 open coverage type IP 00	-
Voltage / Frequency	230 V / 50 Hz	400 V, special voltage
Connector type	leads length 200 mm colours see schematic	-
Direction of rotation	left and right by reconnecting	-
Bearing	ball bearings	-
Fixing	flange	with base

Optionally with aluminium or alloy rotor

## Dimensional drawings



## Technical data

Type	Package-height (h) [mm]	Power		Rated-current [A]	Rated-torque [Nm]	Starting-torque [Nm]	Break-down-torque [Nm]	Rated-speed [rpm]	Idle-speed [rpm]	Capacitor	Order number	
		input [W]	output [W]								open coverage type	closed coverage type

### Type with aluminium rotor 4-pole

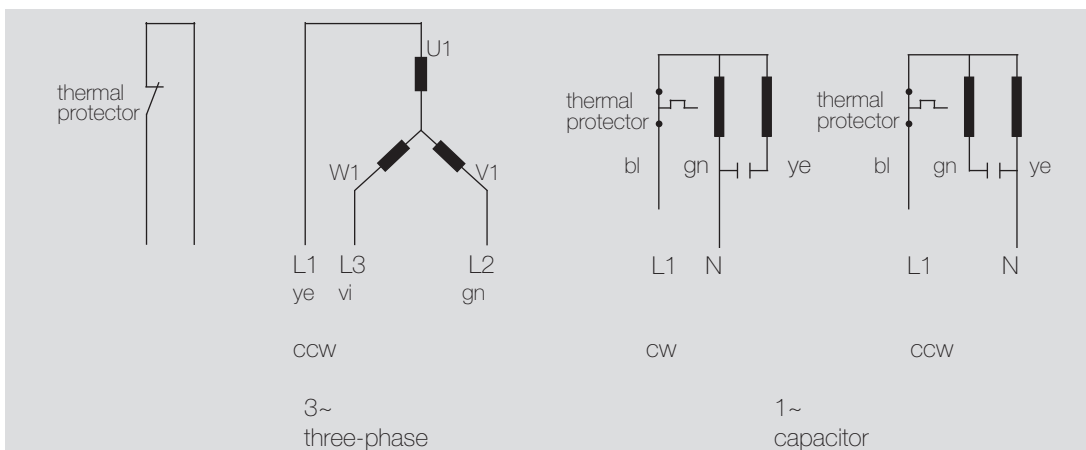
235.25-4	25	69	32	0.32	0.227	0.148	0.275	1,350	1,490	2.5/400	235.25.00003	.00001
235.30-4	30	73.5	35	0.34	0.247	0.150	0.293	1,350	1,490	2.5/400	235.30.00004	.00002
235.40-4	40	79	44	0.37	0.290	0.200	0.350	1,350	1,490	3/400	235.40.00006	.00004
235.55-4	55	123	72	0.57	0.510	0.235	0.600	1,350	1,490	4/400	235.55.00005	.00003
235.70-4	70	145	80	0.68	0.608	0.290	0.700	1,350	1,490	4/400	235.70.00003	.00001

### Type with alloy rotor, 4-pole

235.25-4	25	69	27.5	0.32	0.219	0.220	0.269	1,200	1,470	2/400	235.25.00004	.00002
235.30-4	30	73	31	0.34	0.250	0.220	0.295	1,200	1,470	2.5/400	235.30.00005	.00003
235.40-4	40	82	35	0.38	0.305	0.290	0.350	1,200	1,470	2.5/400	235.40.00007	.00005
235.55-4	55	127	67	0.59	0.535	0.380	0.620	1,200	1,470	4/400	235.55.00006	.00004
235.70-4	70	142	70	0.66	0.600	0.450	0.700	1,200	1,470	4/400	235.70.00004	.00002

### Type with aluminium rotor, 4-pole, three-phase

235.30-4	30	42	20	0.18	0.133	0.309	-	1,400	1,490	-	235.30.00025	.00024
235.40-4	40	118	60	0.51	0.400	0.936	-	1,390	1,490	-	235.40.00042	.00041
235.55-4	55	134	90	0.58	0.649	1.440	-	1,350	1,480	-	235.55.00071	.00070



External diameter 80  
Type 242



## Three-phase motor

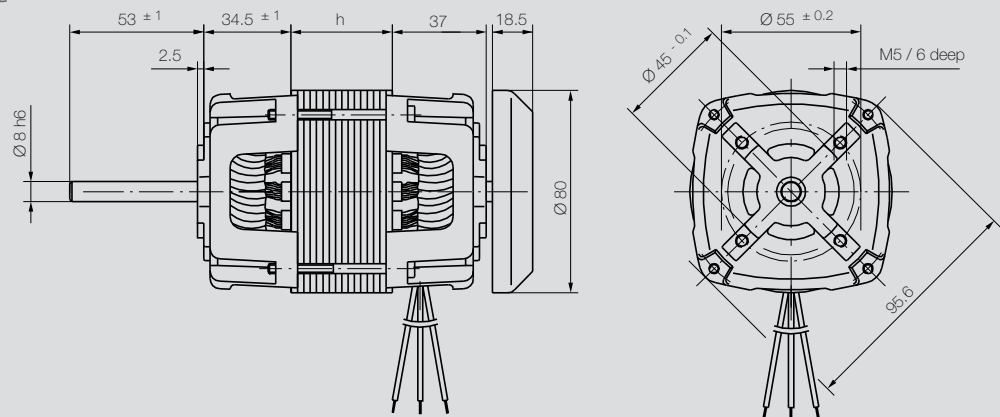
2-pole

Technical data	Standard design	Options
Protection class DIN 40050	closed-frame design IP 43 open-frame design IP 00	-
Voltage /Frequency	400 V / 50 Hz	special voltage
Connector type	leads length 200 mm colours see schematic	-
Direction of rotation	left and right by reconnecting	-
Bearing	ball bearings	-
Fixing	flange	with base

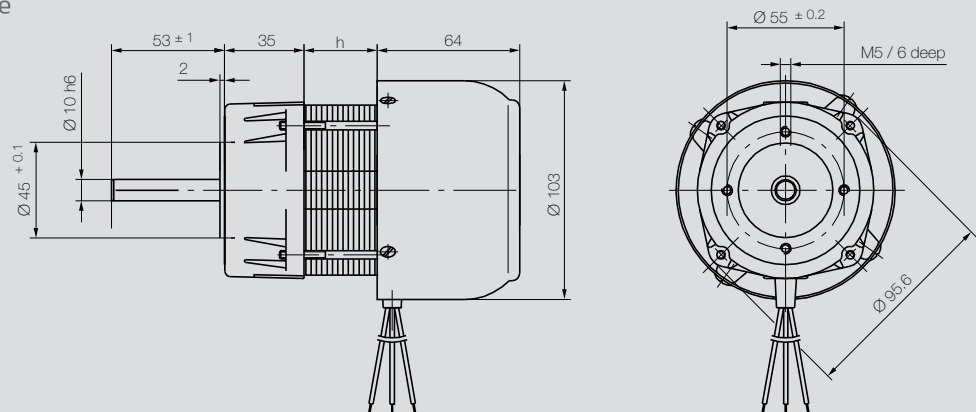
Optionally with aluminium or alloy rotor

## Dimensional drawings

open coverage type



closed coverage type



## Technical data

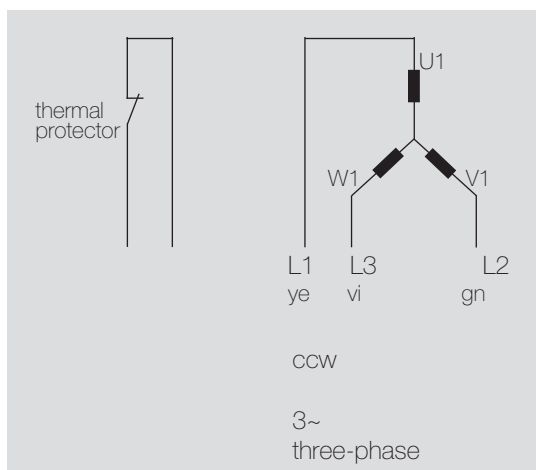
Type	Package-height (h) [mm]	Power		Rated-current [A]	Rated-torque [Nm]	Starting-torque [Nm]	Rated-speed [rpm]	Idle-speed [rpm]	Order number	IE-Code in % acc. to the standard DIN EN 60034-30-1
		input [W]	output [W]							

### Open coverage type with alloy rotor, 2-pole, three-phase

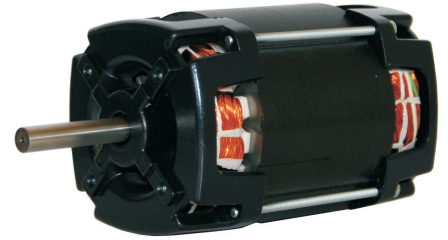
242.30	30	140	80	0.25	0.28	0.70	2,750	2,900	242.30.00012	-
242.40	40	177	115	0.35	0.40	1.20	2,750	2,900	242.40.00002	-
242.55	55	255	170	0.46	0.60	1.80	2,750	2,900	242.55.00002	IE3-66,7
242.70	70	310	215	0.54	0.74	2.40	2,750	2,900	242.70.00002	IE3-69,4

### Closed coverage type with alloy rotor, 2-pole, three-phase

242.30	30	140	80	0.25	0.28	0.70	2,750	2,900	242.30.00011	-
242.40	40	177	115	0.35	0.40	1.20	2,750	2,900	242.40.00001	-
242.55	55	255	170	0.46	0.60	1.80	2,750	2,900	242.55.00001	IE3-66,7
242.70	70	310	215	0.54	0.74	2.40	2,750	2,900	242.70.00001	IE3-69,4



# External diameter 90 Type 234



## Capacitor motor 2-/4-pole

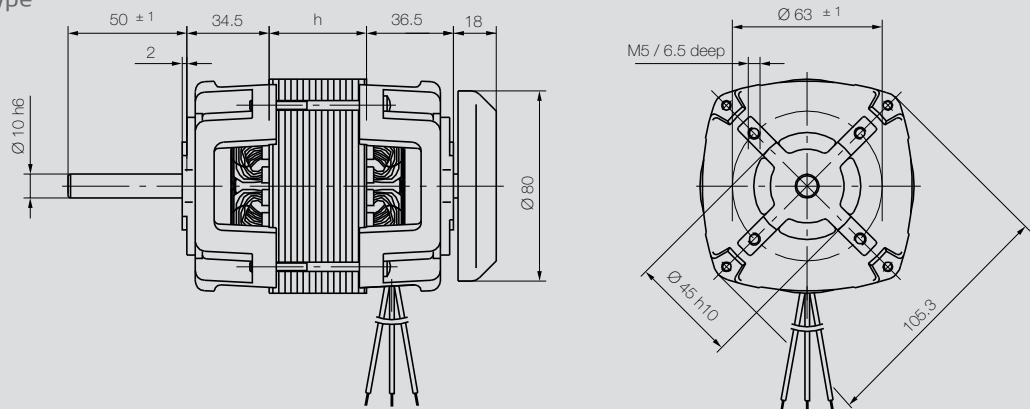
Technical data	Standard design	Options
Protection class DIN 40050	closed coverage type IP 40 open coverage type IP 00	-
Voltage /Frequenca	230 V / 50 Hz	special voltage
Connector type	leads length 200 mm colours see schematic	-
Direction of rotation	left and right by reconnecting	-
Bearing	ball bearings	-
Fixing	flange	with base <sup>1)</sup>

Optionally with aluminium or alloy rotor

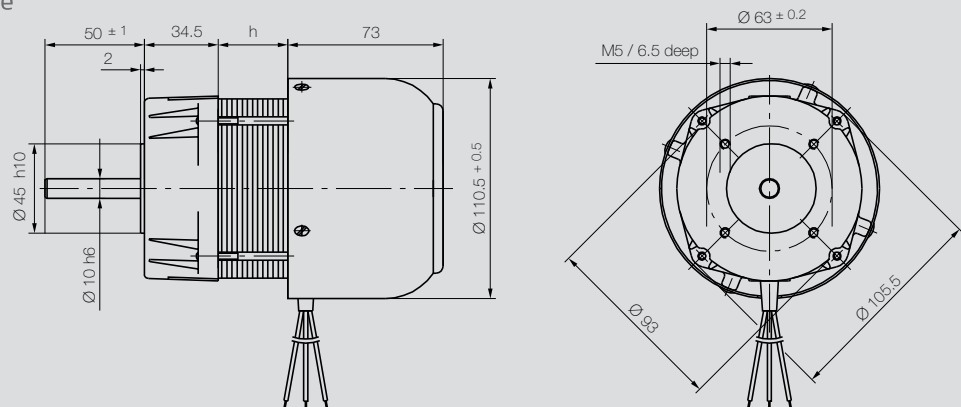
1) Open coverage type only

## Dimensional drawings

open coverage type



closed coverage type



## Technical data

Type	Package-height (h) [mm]	Power		Rated-current [A]	Rated-torque [Nm]	Starting-torque [Nm]	Break-down-torque [Nm]	Rated-speed [rpm]	Idle-speed [rpm]	Capacitor	Order number		IE-Code  in % acc. to the standard DIN EN 60034-30-1
		in-put [W]	out-put [W]								open coverage type	closed coverage type	

### Type with aluminium rotor, 2-pole

234.30-2	30	162	94	0.80	0.330	0.206	0.497	2,750	2,970	6/450	234.30.00014	.00006	-
234.45-2	45	242	156	1.10	0.543	0.251	0.761	2,750	2,970	8/400	234.45.00013	.00006	IE3-64,5
234.60-2	60	328	220	1.50	0.770	0.326	1.054	2,750	2,970	10/400	234.60.00018	.00006	IE2-67,1
234.75-2	75	421	279	1.90	0.970	0.322	1.280	2,750	2,970	12/400	234.75.00014	.00006	IE2-66,3

### Type with alloy rotor, 2-pole

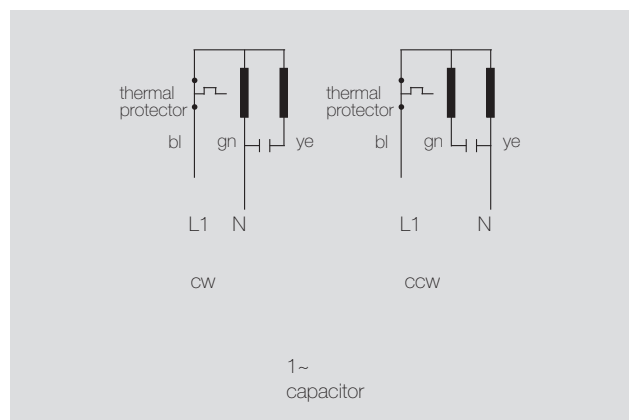
234.30-2	30	145	71	0.70	0.260	0.320	0.465	2,600	2,950	6/450	234.30.00017	.00008	-
234.45-2	45	212	128	1.00	0.466	0.404	0.716	2,600	2,950	8/400	234.45.00016	.00008	IE2-60,4
234.60-2	60	274	174	1.30	0.640	0.556	1.000	2,600	2,950	10/400	234.60.00021	.00008	IE2-63,5
234.75-2	75	382	240	1.80	0.880	0.530	1.210	2,600	2,950	12/400	234.75.00017	.00008	IE1-62,8

### Type with aluminium rotor, 4-pole

234.30-4	30	110	60	0.50	0.420	0.260	0.550	1,350	1,470	4/450	234.30.00015	.00007	-
234.45-4	45	152	87	0.70	0.615	0.310	0.740	1,350	1,470	5/400	234.45.00014	.00007	-
234.60-4	60	194	113	0.90	0.800	0.360	0.970	1,350	1,470	6/400	234.60.00019	.00007	-
234.75-4	75	223	139	1.00	0.980	0.480	1.210	1,350	1,470	8/400	234.75.00015	.00007	IE1-59,7

### Type with alloy rotor, 4-pole

234.30-4	30	109	52	0,50	0,410	0,410	0,540	1,200	1,450	4/450	234.30.00016	.0009	-
234.45-4	45	143	75	0,70	0,595	0,510	0,740	1,200	1,450	5/400	234.45.00015	.0009	-
234.60-4	60	183	96	0,90	0,765	0,600	0,950	1,200	1,450	6/400	234.60.00020	.0009	-
234.75-4	75	222	123	1,00	0,980	0,870	1,210	1,200	1,450	8/400	234.75.00016	.0009	IE1-55,4



# ■ Stator diameter 90 Type 244

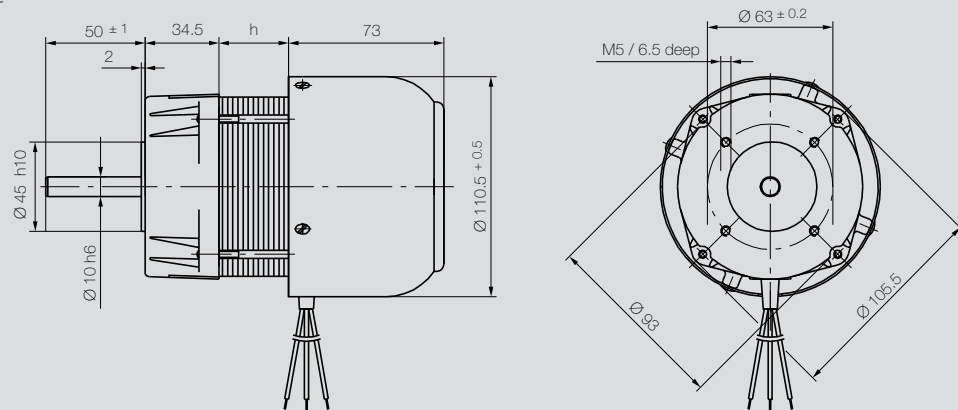


## Three-phase motor 2-pole

Technical data	Standard design	Options
Protection class DIN 40050	closed coverage type IP 40	-
Voltage	400 V / 50 Hz	special voltage
Connector type	leads length 200 mm colours see schematic	-
Direction of rotation	left and right by reconnecting	-
Bearing	ball bearing	-
Fixing	flange	with base

## Dimensional drawings

closed coverage type





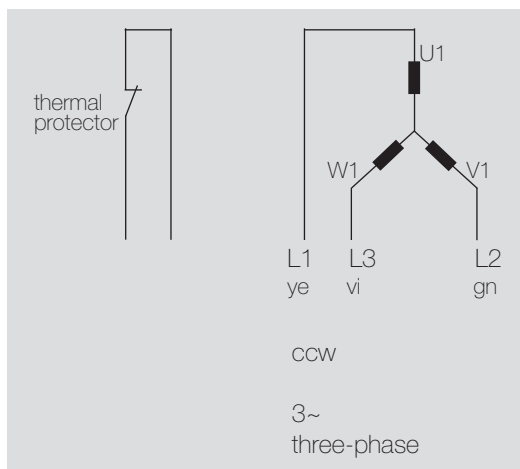
## Technical data

Type	Package-height (h) [mm]	Power		Rated-current [A]	Rated-torque [Nm]	Starting-torque [Nm]	Break-down-torque [Nm]	Rated-speed [rpm]	Idle-speed [rpm]	Capacitor	Order number	IE-Code in % acc. to the standard DIN EN 60034-30-1
		input [W]	output [W]									

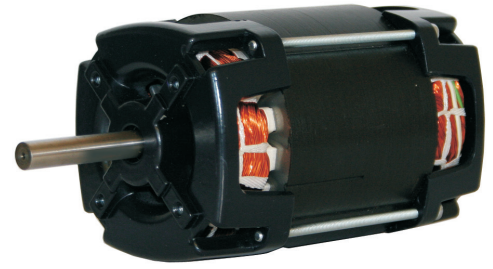
### Closed coverage type with aluminium rotor, 2-pole, **three-phase**

244.45-2	45	330	216	0.60	0.75	1.90	-	2,750	2,900	-	244.45.00001	IE2-65,5
244.60-2	60	460	331	0.80	1.15	3.10	-	2,750	2,900	-	244.60.00003	IE2-72
244.75-2	75	540	403	0.90	1.40	4.10	-	2,750	2,900	-	244.75.00004	IE2-65,5

Open coverage type on request



External diameter 90  
Type 263



## Three-phase motor

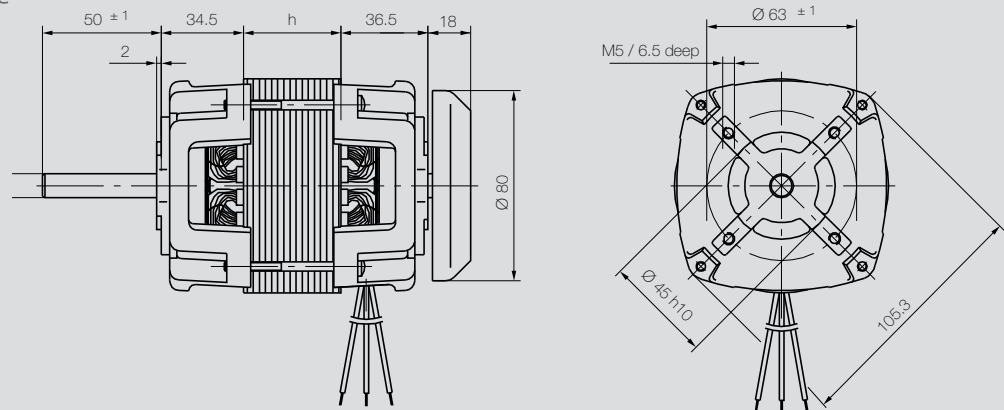
4-pole

Technical data	Standard design	Options
Protection class DIN 40050	closed coverage type IP 40 open coverage type IP 00	-
Voltage / Frequency	400 V / 50 Hz	special voltage
Connector type	leads length 200 mm colours see schematic	-
Direction of rotation	left and right by reconnecting	-
Bearing	ball bearings	-
Fixing	flange	with base <sup>1)</sup>

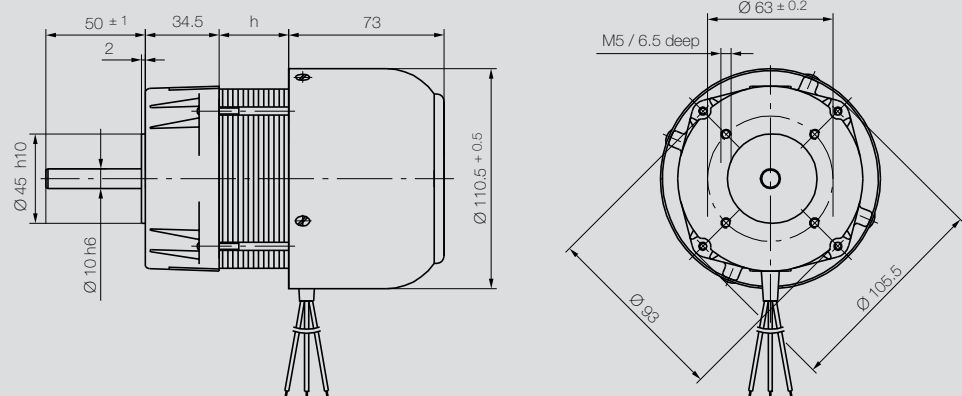
1) Open coverage type only

## Dimensional drawings

open coverage type



closed coverage type



## Technical data

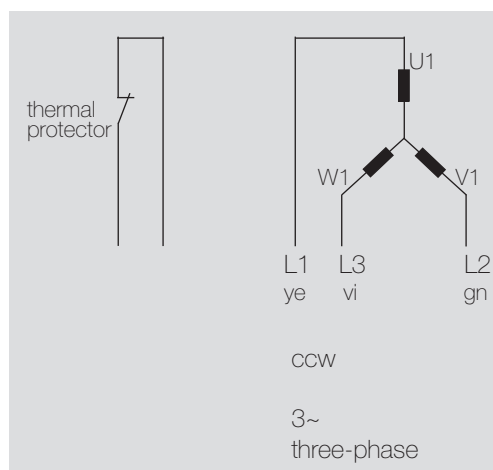
Type	Package height (h) [mm]	Power		Rated current [A]	Rated torque [Nm]	Starting torque [Nm]	Breakdown torque [Nm]	Rated speed [rpm]	Idle speed [rpm]	Capacitor	Order number	IE-Code in % acc. to the standard DIN EN 60034-30-1
		input [W]	output [W]									

### Open coverage type with alloy rotor, 4-pole, three-phase

263.45-4	45	190	110.3	0.40	0.78	1.45	-	1,350	1,450	-	263.45.0001	-
263.60-4	60	270	169.6	0.60	1.20	2.20	-	1,350	1,450	-	263.60.0001	IE1-62,8
263.75-4	75	305	205.0	0.62	1.45	2.70	-	1,350	1,450	-	263.75.0001	IE2-67,2

### Closed coverage type with alloy rotor, 4-pole, three-phase

263.45-4	45	190	110.3	0.40	0.78	1.45	-	1,350	1,450	-	263.45.0002	-
263.60-4	60	270	169.6	0.60	1.20	2.20	-	1,350	1,450	-	263.60.0002	IE1-62,8
263.75-4	75	305	205.0	0.62	1.45	2.70	-	1,350	1,450	-	263.75.0002	IE2-67,2



Technical data subject to change! Last changes 10/2020



**Heidrive GmbH**

Starenstraße 23  
D-93309 Kelheim

Phone +49 9441/707-0  
Fax +49 9441/707-259

info@heidrive.com  
www.heidrive.com